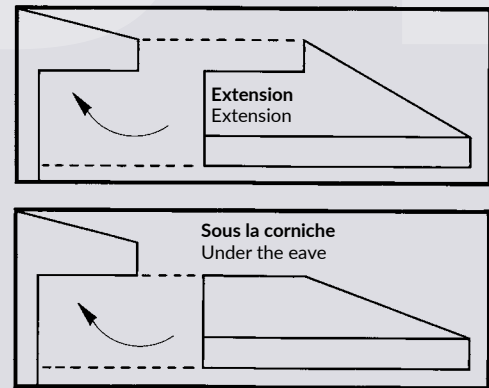
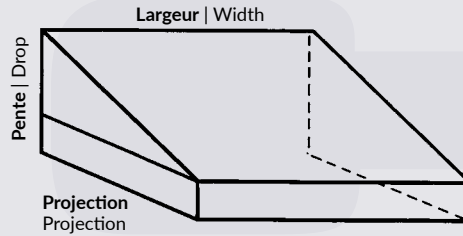
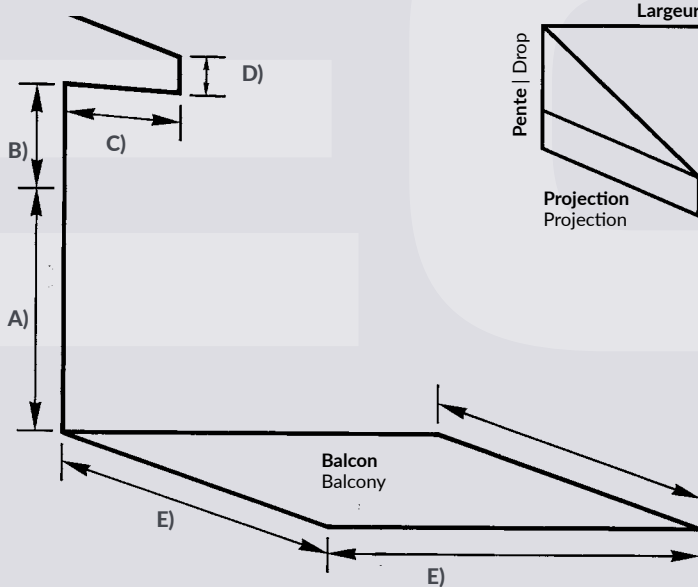




MÉTHODE DE MESURES POUR AUVENTS METHOD TO MEASURE AWNINGS



METHODE DE MESURE POUR AUVENT

- 1 L'auvent devrait normalement excéder de 4" sur le devant et sur chaque côté du balcon.
- 2 Hauteur libre normale suggérer est de 78" sous la valance. La valance est la partie la plus basse de l'auvent.
- 3 La pente de l'auvent devrait être proportionnelle à la projection.
- 4 La distance maximale entre les poteaux de soutien ne devrait pas excéder 120" à 144" avec l'installation d'une poutre de type "pont". Cette distance est variable et doit tenir compte de la pente et la protection de l'auvent.
- 5 Un auvent dont la protection est de 84" ou plus nécessitera une structure renforcée.
- 6 Pour faciliter le calcul et pour déterminer le type d'auvent nécessaires vous aurez besoins des mesure suivantes

- A) La distance entre le balcon et le haut de la porte.
- B) La distance entre le haut de la porte et la corniche
- C) La largeur de la corniche
- D) La fascia de la corniche
- E) La longueur et la largeur du balcon

Les normes de mesures et d'installation ci-haut mentionnées sont considérées standard dans l'industrie.

MEASURING METHOD FOR AWNINGS

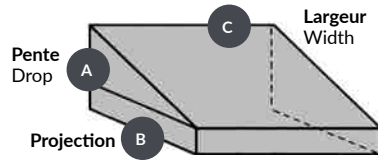
- 1 The awning should normally exceed 4" on the front and on each side of the balcony.
- 2 Normal free height suggested is 78" under the valance. The valance is the lowest part of the awning.
- 3 The slope of the awning should be proportional to the projection.
- 4 The maximum distance between the supporting posts should not exceed 120" to 144" with the installation of a "bridge" beam. This distance is variable and must take into account the slope and protection of the awning.
- 5 An awning with a protection of 84" or more will require a reinforced structure.
- 6 For ease of calculation and to determine the type of awning you will need the following measurements

- A) The distance between the balcony and the top of the door.
- B) The distance between the top of the door and the cornice
- C) The width of the cornice
- D) The fascia of the cornice
- E) The length and width of the balcony

The preceding measuring and installation methods are considered standard in the industry.



CHARTRE POUR AUVENTS
AWNING CHART



Le résultat de **A** et **B** multiplié par **C** donne le nombre de pieds carré.
The result of **A** and **B** multiplied by **C** will give total square feet.

		Projection B																						
		16	18	20	22	24	26	28	30	32	34	36	38	40	42	44	46	48	50	52	54	56	58	60
Pente Drop A	FLAT	2.5	2.7	2.8	3.0	3.2	3.5	3.6	3.7	3.8	4.1	4.2	4.4	4.5	4.7	4.8	4.9	5.2	5.4	5.5	5.6	5.8	5.9	6.1
	16	2.7	2.9	3.0	3.3	3.3	3.5	3.7	3.9	4.0	4.2	4.3	4.5	4.6	4.8	4.9	5.1	5.2	5.5	5.6	5.7	5.9	6.0	6.2
	18	2.7	3.0	3.2	3.4	3.5	3.8	3.8	4.0	4.1	4.3	4.4	4.6	4.7	4.9	5.0	5.2	5.3	5.6	5.7	5.8	6.0	6.2	6.3
	20	2.8	3.1	3.4	3.6	3.7	3.9	3.9	4.1	4.2	4.4	4.5	4.7	4.8	5.0	5.1	5.3	5.4	5.7	5.8	5.9	6.1	6.3	6.4
	22	2.9	3.2	3.5	3.7	3.8	4.0	4.1	4.2	4.3	4.4	4.5	4.8	4.9	5.2	5.3	5.4	5.5	5.8	5.9	6.0	6.3	6.4	6.5
	24	3.0	3.3	3.6	3.8	3.9	4.1	4.2	4.3	4.4	4.6	4.7	5.0	5.1	5.3	5.4	5.5	5.6	5.9	6.0	6.1	6.3	6.4	6.5
	26	3.1	3.4	3.7	3.9	4.0	4.2	4.4	4.4	4.5	4.7	4.8	5.1	5.2	5.5	5.6	5.6	5.8	6.0	6.1	6.2	6.4	6.5	6.6
	28	3.2	3.5	3.8	4.0	4.1	4.4	4.5	4.6	4.7	4.9	5.0	5.2	5.3	5.6	5.7	5.8	5.9	6.1	6.2	6.3	6.5	6.6	6.7
	30	3.3	3.6	3.9	4.1	4.2	4.5	4.6	4.7	4.8	5.1	5.2	5.4	5.5	5.7	5.8	5.8	6.0	6.2	6.3	6.4	6.5	6.6	6.8
	32	3.4	3.7	4.0	4.2	4.3	4.6	4.6	4.9	5.0	5.2	5.3	5.5	5.6	5.7	5.8	5.9	6.0	6.3	6.4	6.5	6.6	6.7	6.9
34	3.5	3.8	4.1	4.3	4.4	4.7	4.8	5.0	5.1	5.3	5.4	5.6	5.7	5.8	5.9	6.0	6.1	6.4	6.5	6.6	6.7	6.9	7.0	
36	3.6	3.9	4.2	4.4	4.5	4.8	4.8	5.0	5.1	5.4	5.5	5.7	5.8	5.9	6.0	6.1	6.2	6.5	6.6	6.7	6.8	7.0	7.1	

		Projection B																						
		62	64	66	68	70	72	74	76	78	80	82	84	86	88	90	92	94	96	98	100	102	104	106
Pente Drop A	FLAT	6.3	6.4	6.5	6.7	6.9	7.1	7.3	7.4	7.5	7.8	8.0	8.2	8.3	8.5	8.6	8.8	9.0	9.2	9.3	9.5	9.6	9.8	9.9
	16	6.3	6.5	6.6	6.8	7.0	7.2	7.4	7.5	7.6	7.8	8.1	8.2	8.4	8.5	8.7	8.8	9.1	9.2	9.4	9.5	9.7	9.8	10.0
	18	6.5	6.7	6.7	7.0	7.1	7.2	7.5	7.6	7.7	7.9	8.1	8.2	8.5	8.6	8.8	8.9	9.1	9.2	9.5	9.6	9.9	10.0	10.1
	20	6.6	6.8	6.8	7.0	7.2	7.3	7.6	7.7	7.8	8.0	8.2	8.3	8.6	8.7	8.9	9.0	9.2	9.3	9.6	9.7	10.0	10.1	10.2
	22	6.7	6.8	6.9	7.1	7.3	7.4	7.7	7.8	7.9	8.1	8.2	8.3	8.6	8.7	9.0	9.1	9.3	9.4	9.7	9.8	10.0	10.1	10.3
	24	6.8	6.9	7.0	7.2	7.4	7.4	7.7	7.8	8.0	8.1	8.3	8.4	8.7	8.8	9.1	9.3	9.4	9.5	9.7	9.8	10.1	10.2	10.4
	26	6.8	6.9	7.1	7.2	7.5	7.5	7.8	7.9	8.1	8.3	8.4	8.5	8.7	8.8	9.1	9.3	9.5	9.6	9.8	9.9	10.2	10.3	10.5
	28	6.9	7.0	7.2	7.3	7.6	7.6	7.8	7.9	8.2	8.3	8.5	8.6	8.8	8.9	9.2	9.4	9.6	9.7	9.9	10.0	10.3	10.4	10.6
	30	7.0	7.1	7.3	7.4	7.7	7.7	7.9	8.0	8.2	8.4	8.5	8.6	8.8	8.9	9.2	9.5	9.7	9.8	10.0	10.1	10.4	10.5	10.7
	32	7.1	7.2	7.4	7.5	7.8	7.9	7.9	8.0	8.3	8.4	8.6	8.7	8.9	9.1	9.3	9.5	9.8	9.8	10.1	10.2	10.5	10.6	10.7
34	7.2	7.3	7.5	7.6	7.9	8.0	8.0	8.1	8.3	8.5	8.6	8.7	9.0	9.3	9.6	9.7	9.9	10.0	10.2	10.3	10.6	10.7	10.8	
36	7.3	7.4	7.6	7.7	8.0	8.1	8.1	8.2	8.4	8.6	8.7	8.8	9.1	9.4	9.7	9.8	10	10.1	10.3	10.4	10.7	10.8	11.0	

		Projection B																						
		108	110	112	114	116	118	120	122	124	126	128	130	132	134	136	138	140	142	144	146	148	150	152
Pente Drop A	FLAT	10.0	10.2	10.4	10.6	10.8	11.0	11.2	11.3	11.5	11.6	11.7	11.7	11.9	12.0	12.4	12.5	12.6	12.8	12.9	13.0	13.2	13.5	13.6
	16	10.1	10.4	10.5	10.7	10.8	11.1	11.2	11.3	11.6	11.7	11.8	11.8	12.0	12.1	12.6	12.6	12.7	12.9	13.0	13.2	13.4	13.6	13.8
	18	10.2	10.5	10.6	10.8	10.9	11.1	11.2	11.3	11.6	11.8	11.9	12.0	12.1	12.1	12.8	12.9	13.0	13.1	13.2	13.4	13.6	13.8	14.0
	20	10.3	10.6	10.7	10.9	11.0	11.2	11.3	11.4	11.7	11.9	12.0	12.1	12.3	12.5	13.0	13.0	13.1	13.2	13.3	13.5	13.8	13.9	14.1
	22	10.4	10.6	10.7	11.0	11.1	11.3	11.4	11.5	11.8	12.0	12.1	12.2	12.5	12.7	13.1	13.2	13.3	13.5	13.7	13.8	13.9	14.0	14.3
	24	10.5	10.7	10.8	11.1	11.2	11.4	11.5	11.7	12.0	12.1	12.2	12.4	12.7	12.9	13.4	13.5	13.6	13.7	13.8	13.9	14.0	14.2	14.4
	26	10.6	10.8	10.9	11.2	11.3	11.5	11.6	11.8	12.1	12.2	12.4	12.6	12.9	13.1	13.5	13.6	13.7	13.8	13.9	14.0	14.3	14.5	14.6
	28	10.7	11.0	11.1	11.3	11.4	11.6	11.7	12.0	12.2	12.2	12.5	12.8	13.1	13.2	13.6	13.7	13.8	13.9	14.0	14.3	14.6	14.7	14.8
	30	10.8	11.1	11.2	11.4	11.5	11.7	11.8	12.0	12.2	12.4	12.7	13.0	13.3	13.4	13.7	13.9	14.0	14.1	14.3	14.5	14.7	14.8	14.9
	32	10.9	11.2	11.3	11.5	11.6	11.8	11.9	12.1	12.4	12.6	12.9	13.2	13.5	13.6	13.8	14.0	14.1	14.3	14.5	14.7	14.9	15.0	15.1
34	11.0	11.3	11.4	11.6	11.7	11.9	12.0	12.2	12.5	12.8	13.0	13.4	13.7	13.8	14.0	14.2	14.3	14.5	14.7	14.9	15.0	15.1	15.4	
36	11.1	11.4	11.5	11.7	11.8	12.0	12.1	12.3	12.6	12.9	13.1	13.4	13.7	14.0	14.1	14.4	14.5	14.7	14.8	15.0	15.1	15.3	15.6	

		Projection B																					
		154	156	158	160	162	164	166	168	170	172	174	176	178	180	182	184	186	188	190	192		
Pente Drop A	FLAT	13.8	13.9	14.0	14.2	14.4	14.6	14.8	15.0	15.2	15.5	15.7	15.9	16.1	16.4	16.7	16.9	17.1	17.4	17.5	17.7	18.0	18.1
	16	13.9	14.0	14.2	14.5	14.6	14.8	15.0	15.2	15.5	15.7	15.9	16.1	16.3	16.6	16.9	17.1	17.4	17.5	17.7	17.8	18.0	18.1
	18	14.0	14.2	14.5	14.8	14.8	15.0	15.2	15.5	15.7	15.9	16.1	16.3	16.5	16.9	17.1	17.4	17.5	17.7	17.8	18.0	18.1	18.3
	20	14.3	14.5	14.8	15.0	15.0	15.2	15.5	15.7	15.9	16.1	16.3	16.5	16.9	17.1	17.4	17.5	17.7	17.8	18.0	18.1	18.3	18.6
	22	14.4	14.7	15.0	15.3	15.2	15.5	15.7	15.9	16.1	16.3	16.6	16.9	17.1	17.4	17.5	17.7	17.8	18.0	18.1	18.3	18.6	18.9
	24	14.6	15.0	15.3	15.5	15.5	15.7	15.9	16.1	16.3	16.6	16.8	17.1	17.4	17.5	17.7	17.8	18.0	18.1	18.3	18.6	18.9	19.2
	26	14.8	15.2	15.5	15.7	15.7	15.9	16.1	16.3	16.6	16.8	17.1	17.4	17.5	17.7	17.8	18.0	18.1	18.3	18.6	18.9	19.2	19.5
	28	14.9	15.4	15.7	15.9	15.9	16.1	16.3	16.6	16.8	17.1	17.4	17.5	17.7	17.8	18.0	18.1	18.3	18.6	18.9	19.2	19.5	19.8
	30	15.2	15.5	15.8	16.0	16.1	16.3	16.6	16.8	17.1	17.4	17.5	17.7	17.8	18.0	18.1	18.3	18.6	18.9	19.2	19.5	19.8	20.0
	32	15.4	15.7	16.0	16.3	16.3	16.6	16.8	17.1	17.4	17.5	17.7	17.8	18.0	18.1	18.3	18.6	18.9	19.2	19.5	19.8	20.0	20.2
34	15.7	16.0	16.3	16.5	16.6	16.8	17.1	17.4	17.5	17.7	17.8	18.0	18.1	18.3	18.6	18.9	19.2	19.5	19.8	20.0	20.2	20.2	
36	15.9	16.2	16.5	16.7	16.8	17.1	17.4	17.5	17.7	17.8	18.0	18.1	18.4	18.7	19.0	19.3	19.6	19.9	20.0	20.2	20.2	20.2	





CHARTRE POUR AUVENTS
AWNING CHART

Conversion de pouces en pieds
Length in inches converted to feet

	Pouces Inches		Pieds Feet		Pouces Inches		Pieds Feet		Pouces Inches		Pieds Feet		Pouces Inches		Pieds Feet	
	Pouces Inches	Pieds Feet	Pouces Inches	Pieds Feet	Pouces Inches	Pieds Feet	Pouces Inches	Pieds Feet	Pouces Inches	Pieds Feet	Pouces Inches	Pieds Feet	Pouces Inches	Pieds Feet	Pouces Inches	Pieds Feet
2½	0.3	114½	9.5	226½	18.9	338½	28.3	450½	37.5							
5	0.5	117	9.8	229	19.1	341	28.5	453	37.8							
8	0.7	120	10	232	19.3	344	28.7	456	38							
10½	0.9	122½	10.3	234½	19.5	346½	28.9	458½	38.3							
13	1.1	125	10.5	237	19.7	349	29.1	461	38.5							
16	1.3	128	10.7	240	20	352	29.3	464	38.7							
18½	1.5	130½	10.9	242½	20.3	354½	29.5	466½	38.9							
21	1.8	133	11.1	245	20.5	357	29.8	469	39.1							
24	2	136	11.3	248	20.7	360	30	472	39.3							
26½	2.3	138½	11.5	250½	20.9	362½	30.3	474½	39.5							
29	2.5	141	11.8	253	21.1	365	30.5	477	39.8							
32	2.7	144	12	256	21.3	368	30.7	480	40							
34	2.9	146½	12.3	258½	21.5	370½	30.9	482½	40.3							
37	3.1	149	12.5	261	21.8	373	31.1	485	40.5							
40	3.3	152	12.7	264	22	376	31.3	488	40.7							
42½	3.5	154½	12.9	266½	22.3	378½	31.5	490½	40.9							
45	3.8	157	13.1	269	22.5	381	31.8	493	41.1							
48	4	160	13.3	272	22.7	384	32	496	41.3							
50½	4.3	162½	13.5	274½	22.9	386 1/2	32.3	498½	41.5							
53	4.5	165	13.8	277	23.1	389	32.5	501	41.8							
56	4.7	168	14	280	23.3	392	32.7	504	42							
58½	4.9	170½	14.3	282½	23.5	394½	32.9	506½	42.3							
61	5.1	173	14.5	285	23.8	397	33.1	509	42.5							
64	5.3	176	14.7	288	24	400	33.3	512	42.7							
66½	5.5	178½	14.9	290½	24.3	402½	33.5	514½	42.9							
69	5.8	181	15.1	293	24.5	405	33.8	517	43.1							
72	6	184	15.3	296	24.7	408	34	520	43.3							
74½	6.3	186½	15.5	298½	24.9	410½	34.3	522½	43.5							
77	6.5	189	15.8	301	25.1	413	34.5	525	43.8							
80	6.7	192	16	304	25.3	416	34.7	528	44							
82½	6.9	194½	16.3	306	25.5	418½	34.9	530½	44.3							
85	7.1	197	16.5	309	25.8	421	35.1	533	44.5							
88	7.3	200	16.7	312	26	424	35.3	536	44.7							
90½	7.5	202½	16.9	314½	26.3	426½	35.5	538½	44.9							
93	7.8	205	17.1	317	26.5	429	35.8	541	45.1							
96	8	208	17.3	320	26.7	432	36	544	45.3							
98½	8.3	210½	17.5	322½	26.9	434½	36.3	546½	45.5							
101	8.5	213	17.8	325	27.1	437	36.5	549	45.8							
104	8.7	216	18	328	27.3	440	36.7	552	46							
106½	8.9	218½	18.3	330½	27.5	442½	36.9	554½	46.3							
109	9.1	221	18.5	333	27.8	445	37.1	557	46.5							
112	9.3	224	18.7	336	28	448	37.3	560	46.7							

Largeur | Width C



AUVENTS EN ALUMINIUM
ALUMINIUM AWNINGS

Grandeurs disponibles (en pouces)
Available sizes (in inches)



		Projections																Faible pente Low Slope
		15¼	21	26¾	32½	38¼	44	49¾	55½	61¼	67	72¾	78½	84¼	90	95¾	101½	
Pentes Drops	8	8½	9	9½	10	10½	11	11½	12	13	13	14	14	15	16	16	16	
	8½	9½	10	11	11½	12½	13	14	14½	16	16	17	18	19	19	20	21	
	9¼	10¼	11¼	12¼	13¼	14½	15½	16½	17½	19	20	21	22	23	24	25	26	
	10½	12	13½	15	16½	18	19¼	21¼	22¼	25	26	28	29	31	32	34	35	
	12	14	16¼	18¼	20¼	22½	24½	26¼	28¼	31	33	35	37	39	41	43	46	
	13½	16¼	18¾	21½	24¼	26¾	29½	32¼	35	38	40	43	46	48	51	54	56	
	15	18½	21½	25	28½	31½	35	38¼	41½	45	48	52	55	58	61	65	68	
	16¼	20¼	25	29	33	37	41	45	49	53	57	61	65	69	73	77	81	
19	24	28¾	33½	38½	43¼	48	53	57¼	63	67	72	77	82	87	92	96		

		Projections															Faible pente Low Slope
		113	118¼	124½	130¼	136	141¼	147½	153¼	159	164¼	170½	176¼	182	187¼	193½	
Pentes Drops	17	17	18	18	19	19	20	20	21	21	22	22	23	23	24	24	
	22	22	23	24	25	25	26	27	28	29	29	30	31	32	32	33	
	27	28	29	30	31	32	33	34	35	36	37	38	39	40	41	42	
	37	38	40	41	43	45	46	48	49	51	52	54	55	57	58	60	
	48	50	52	54	56	58	60	62	64	67	69	71	73	75	77	79	
	59	62	64	67	70	72	75	78	80	83	86	89	91	94	97	99	

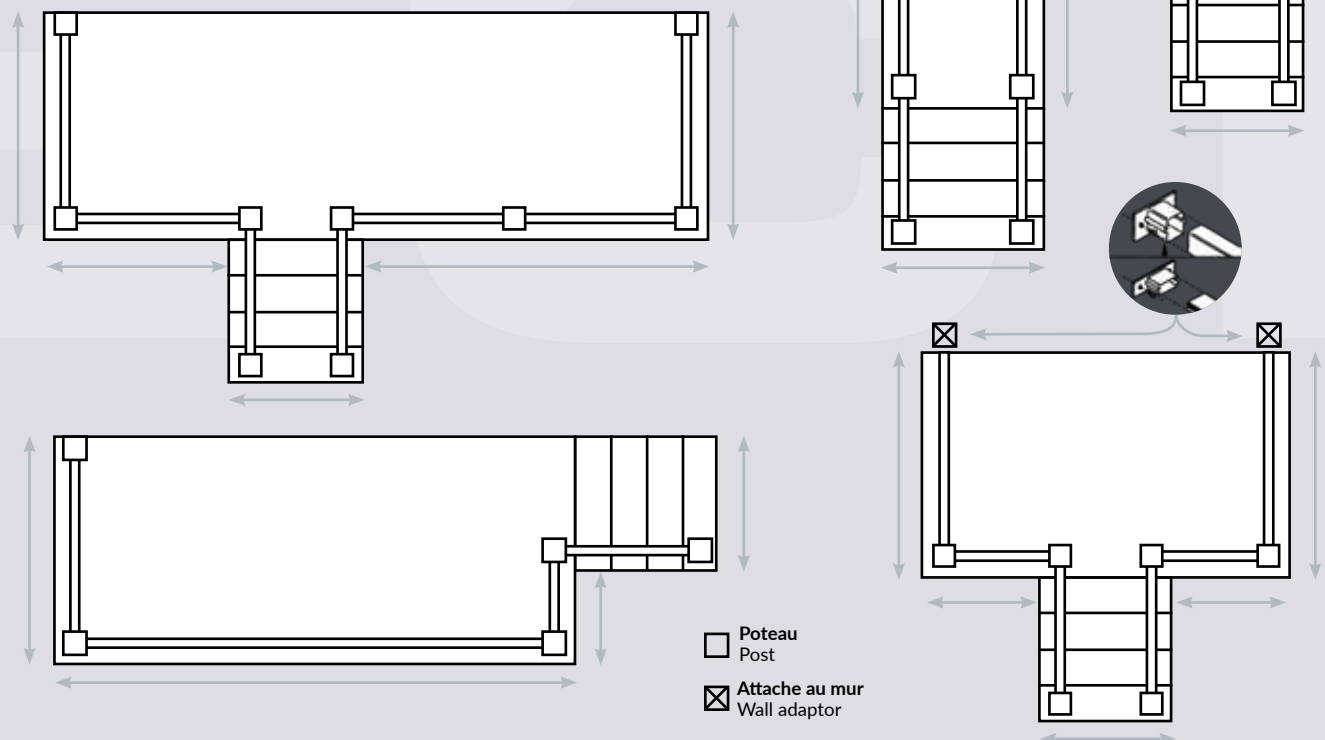
Largeurs standard Standard Widths														
14¼	20½	26¼	32	37¼	43½	49¼	55	60¼	66½	72¼	78	83¼	89½	
95¼	101	106¾	112½	118¼	124	129¼	135½	141¼	147	152¾	158½	164¼	170	
175¼	181½	187¼	193	198¾	204½	210¼	216	221¼	227½	233¼	239	244¼	250½	
256¼	262	267¾	273½	279¼	285	290¼	296½	302¼	308	313¾	319½	325¼	331	

Largeurs Pour Non-Ventilé ou Faible Pente Non Ventilated or Low Slope Widths (Rainguard)													
15¼	22	28¼	34½	40¾	46¾	53¾	59¼	65½	71¼	78	84¼	90¾	96¾
102¾	109¾	115¾	121½	127¼	134	140¼	146½	152¾	158¾	165¾	171¾	177¾	183¼
190	196¼	202½	208¾	214¾	221¾	227¾	233½	239¾	246	252¼	258½	264¼	271
277¾	283¾	289¾	295¾	302¾	308¼	314½	320¼	327	333¼	339¾	345¾	351¾	358¾





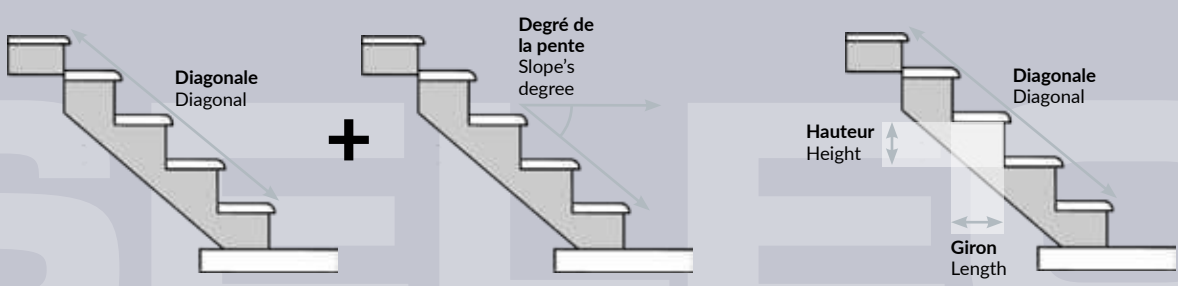
MÉTHODE DE MESURES POUR RAMPES METHOD TO MEASURE RAILING



COMMENT MESURER UN ESCALIER EXISTANT POUR LA RAMPE HOW TO MEASURE AN EXISTING STAIRCASE FOR RAILING

Option 1

Option 2

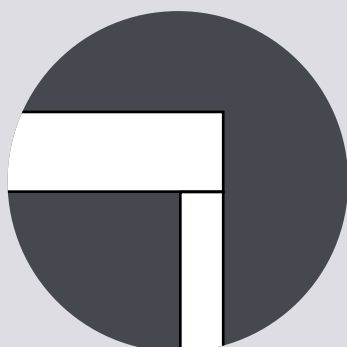
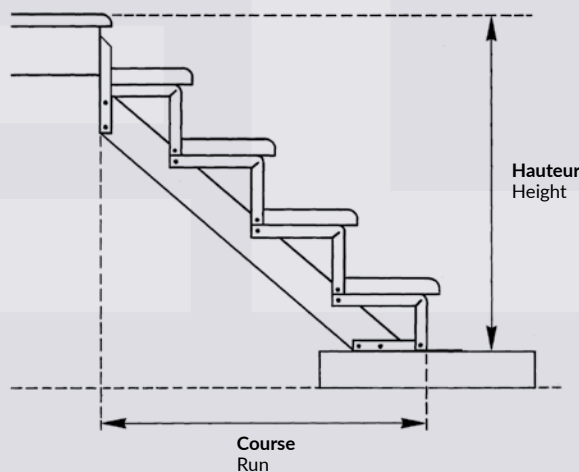
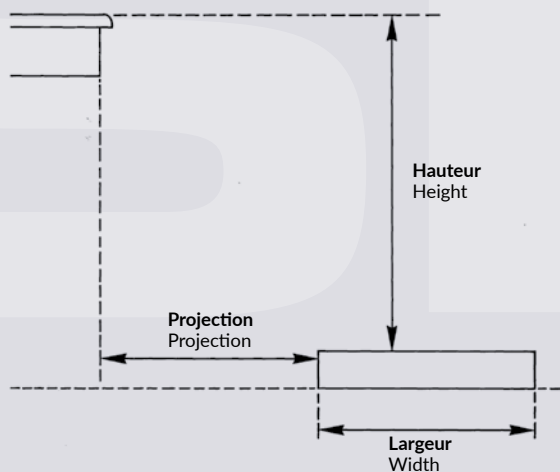


MÉTHODE DE MESURE
Commandez la rampe en donnant les mesures exactes du balcon et en spécifiant le nombre et les modèles de poteaux requis.

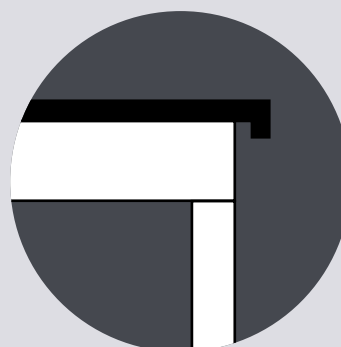
METHOD TO MEASURE
Order railing by giving the exact measurements of the balcony and by specifying the quantity and model of posts required.



MÉTHODE DE MESURES POUR LIMONS METHOD TO MEASURE STRINGERS



Plancher égal à la structure
Floor even with frame



Plancher qui excède la structure
Floor exceeds frame

MÉTHODE DE MESURE Hauteur

Mesurez de la base de béton jusqu'au niveau du plancher du balcon.

Projection

Mesurez de la structure du balcon jusqu'au début de la base de béton.

Profondeur

Mesurez la profondeur de la base de béton.

METHOD TO MEASURE Height

Measure from the concrete base to the level of the balcony floor.

Projection

Measure from the balcony frame to the beginning of the concrete base.

Depth

Measure the depth of the concrete base.

Lorsque vous placez votre commande, veuillez spécifier si le plancher est égale à la structure ou si le plancher excède la structure. Spécifier aussi si le balcon est en bois ou béton.

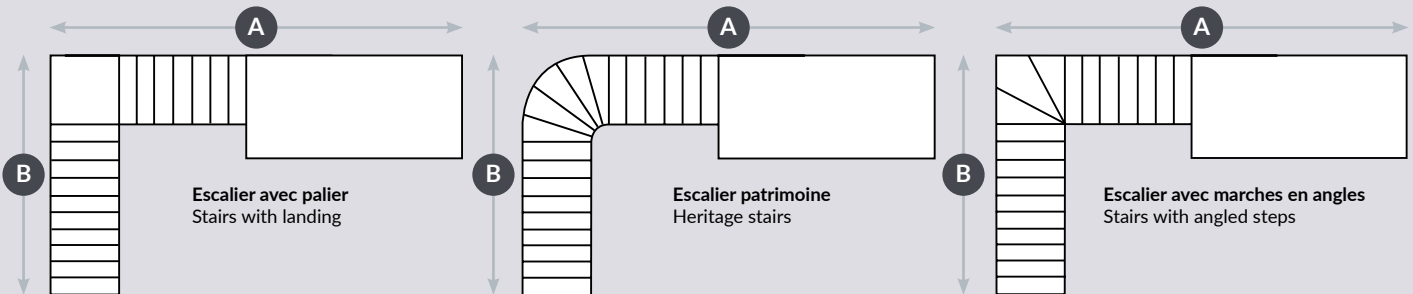
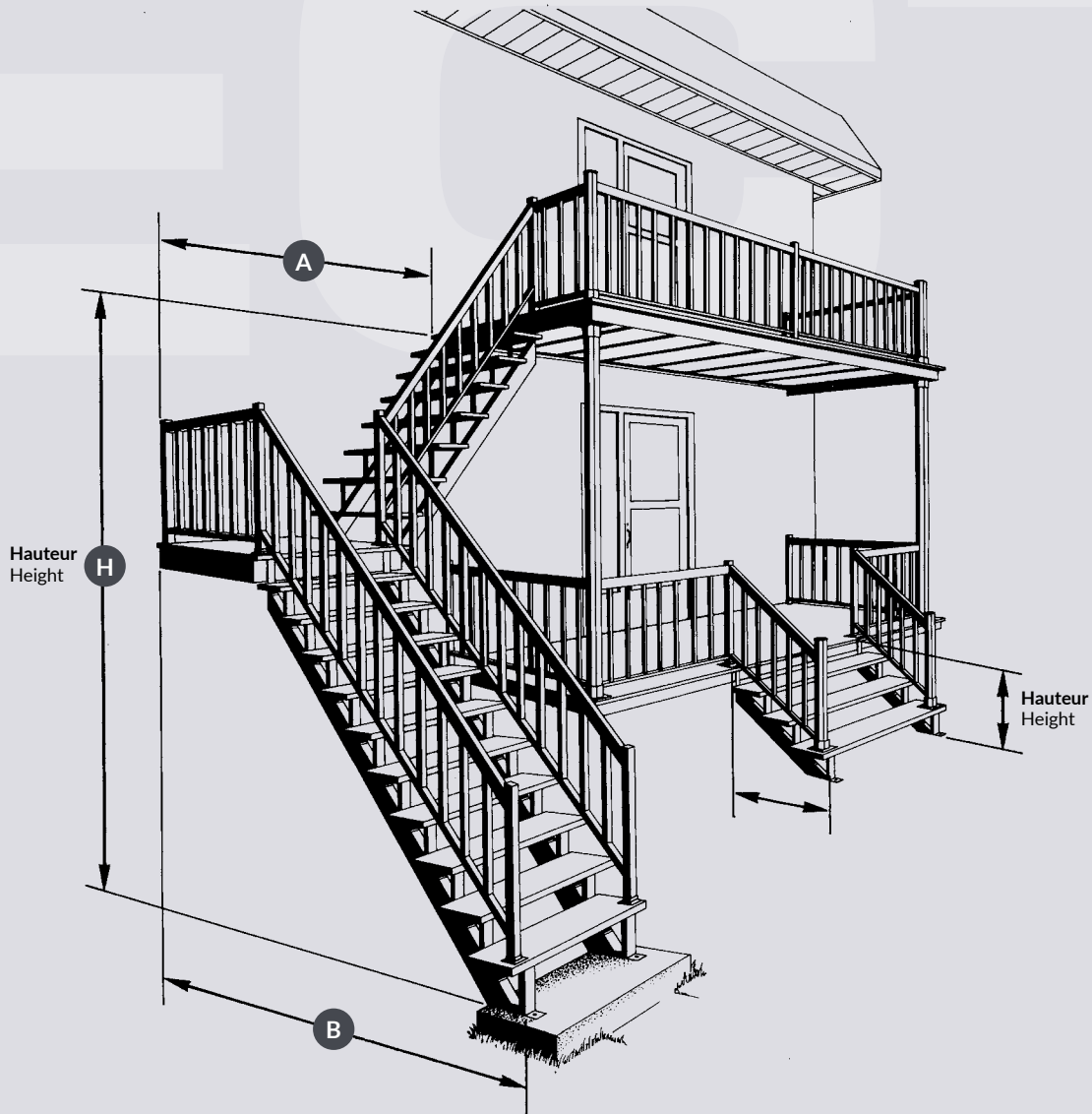
Si vous avez besoin de rampe avec les limons, nous effectuerons les calculs nécessaires et la rampe sera produite à la longueur requise.

When ordering, please specify if the floor is even with the frame or if it exceeds the frame. Also specify if the balcony is in wood or concrete.

If railing is needed with the stringers, we will make the calculations and produce the railing at the required length.



MÉTHODE DE MESURES POUR LIMONS METHOD TO MEASURE STRINGERS



Prendre les mesures suivantes pour un escalier avec palier ou marches d'angles.

Supply the following measures for stairs with a landing or with corner steps.